

KS

ROUND GRILLES WITH A MESH



Characteristics:

A round air supply or exhaust ventilation grille made of steel, with a mesh.

Intended use

The KS ventilation grilles are designed for low- and medium-pressure ventilation systems. They can be used as part of an air exhaust system from a room or as a cover masking the end of ventilation pipes.

Design

The standard grilles are made of galvanised steel. Upon request, it is possible to produce grilles made of stainless steel or with painted finish in any RAL colour.

The front surface is made of galvanised steel mesh with a 65% clearance or a galvanised mesh screen with a 51% or 58% clearance

Net surface area

Table 1. Net surface area of the KS grilles:

ØD [mm]	Net surface area, A [m ²]		
	KS1	KS2	KS3
100	0.004	0.004	0.003
125	0.007	0.006	0.005
160	0.011	0.010	0.009
200	0.018	0.016	0.145
250	0.029	0.026	0.023
315	0.047	0.042	0.037
400	0.078	0.069	0.061



The technical data of the grilles, including pressure loss, noise level and stream ranges, is available at smay.eu, in the document titled "Flow Characteristics for Grilles and Diffusers"

Installation

The grilles are installed with screws placed on the perimeter to the duct.

Dimensions

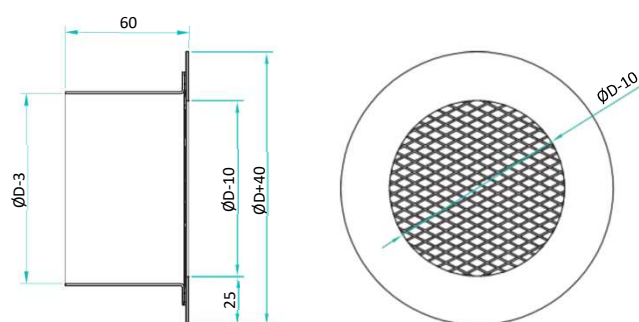


Figure 1. KS grille dimensions

Standard KS grille diameters are provided in Table 1. We can make custom-sized grilles upon request. For grilles with a diameter of $D > 500$ mm, the length of a connection pipe is 80-100 mm.

Covering surface

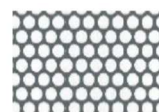
The air grille covering surface can be made of the following materials:

KS1



Galvanised expanded metal mesh (65% clearance).

KS2



Round-mesh galvanised steel screen (58% clearance).

KS3



Square-mesh galvanised steel screen (51% clearance).

SO

SN

SL

RAL



KS – Round grilles with a mesh

When ordering, please provide information according to the following pattern:

KS <W> – <D> – <P><RAL>

Where:

W	type of covering surface*
	1 made of expanded metal mesh
	2 made of round-mesh screen
	3 made of square-mesh screen
D	ventilation duct diameter [mm]
P	finish*
	SO galvanised steel
	SL painted steel
	SN stainless steel, quality 1.4301 (304 according to AISI, 0H18N9 according to PN)
RAL	colour as per RAL (for SL, RAL9010 as default)*

* optional sizes – if blank, default values will be used

Order example: **KS2-250-SL9008**



Blocks for REVIT software,
a selection programme and
certificates are available at
www.smay.pl.