

STR-E

VENTILATION GRILLES WITH MOVABLE VANES FOR ROUND DUCTS



Characteristics:

A rectangular air supply or exhaust ventilation grille made of steel, with movable vanes, installed in round ducts, in a cost-efficient version.

Intended use:

The STR-E ventilation grilles are designed for use in low- and medium-pressure ventilation systems, in round ventilation ducts. The grille design makes it possible to direct the supply air flow in an optimal way or to use the grilles as exhaust elements.

Design

In the standard version, the grille frame and movable vanes are made of galvanised steel. The grilles can be painted in any RAL colour upon request.

STR-E grille versions

STRS-E



a single row of movable, vertical vanes

STRSW-E



two rows of movable vanes, the external row is vertical

Net surface area

Approximate net surface area of the STR grilles:

$$A = 83\% \times [(C-20) \times (D-20)]$$



The technical data of the grilles, including pressure loss, noise level and stream ranges, is available at smay.eu, in the document titled "Flow Characteristics for Grilles and Diffusers"

Installation

The grilles can be installed in ventilation ducts with screws, through holes in the grille frame.

Dimensions

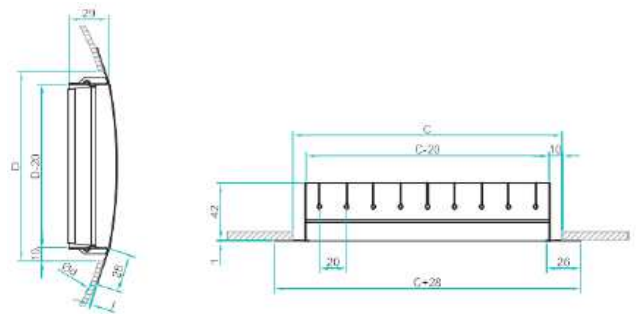


Figure 1. STRS-E grille dimensions

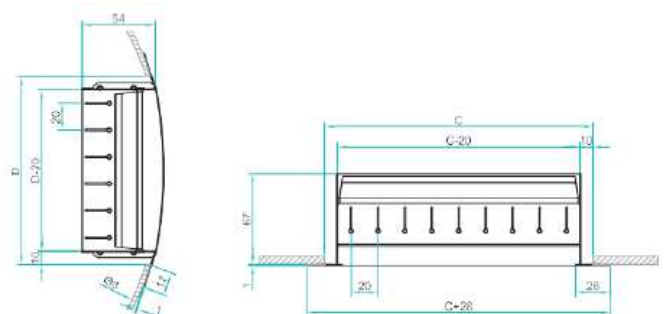


Figure 2. STRSW-E grille dimensions

Table 1. Possible combinations of STR-E grille dimensions

Width, C [mm]	Height, D [mm]
225, 325, 425, 525, 625, 825, 1,025, 1,225	75, 125, 225
200, 300, 400, 500, 600, 800, 1,000, 1,200	100, 200

Table 2. Grille height D depending on the ventilation duct diameter Ød.

Grille height, D [mm]	Ventilation duct diameter, Ød [mm]
75	160-400
100	160-400
125	315-800
200	315-800
225	500-1000



STR-E – Ventilation grilles

When ordering, please provide information according to the following pattern:

<TYPE> – <C>x<D> – <P><RAL> / <ADD>

Where:

TYPE	STRS-E, STRSW-E
C	mounting hole width in mm
D	mounting hole height in mm
P	finish*
	SO – galvanised steel
	SL – painted steel
RAL	colour as per RAL (for SL finishing)
ADD	specify additional accessories here, as below**

Accessories:

GA	backward damper made of aluminium
GP	backward damper made of galvanised steel
GC	reclining damper made of galvanised steel
GM	arched damper made of galvanised steel and aluminium
GT	slot damper made of galvanised steel
L01	screen deflector with a clearance equal to 40%, made of galvanised steel
L02	screen deflector with a clearance equal to 58%, made of galvanised steel

* optional values – if not specified, default values will be used

** for more information about accessories, see the accessories data sheet for grilles and diffusers.

Order example: **STRSW-E-525x225-SL9010/GT**



Blocks for REVIT software, a selection programme and certificates are available at www.smay.pl.