

WC ROOF HOODS



Intended Use:

Roof hoods WC type are intended to use as natural ventilation systems terminals. They protect against direct influence of weather conditions and support the operation of natural ventilation systems.

Material and finish

Roof hoods WC type are equipped with male or female coupling flanges, specially designed for standardized circular ductwork diameters. Flanges are initially pre-coated with anti-corrosion paint (for repainting after assembly). On special request, the flanges may have customized mounting holes prepared according to the individual guidelines of the customer. Normally roof hoods WC type are made of galvanized steel with average thickness of zinc cover of 19 microns. On special request the roof hood may be made of stainless steel and its outer side may be powder coated to any RAL color.

Dimensions

The typical dimensions of roof hoods WC type are shown below.

Table 1. Dimensions WC.

øD [mm]	øD1 [mm]	H [mm]	weight [kg]
100	200	230	1,9
160	320	332	3,6
200	400	400	6,5
250	500	515	9,6
315	630	625	15
400	800	770	23,2
500	1000	990	43,8
630	1260	1211	68,1

Table 2. Air flow performance depending on average wind speed.

Size øD	Wind speed [m/s]								
	1	1,5	2	2,5	3	3,5	4	5	6
	Air flow performance [m³/h]								
100	14	21	28	35	42	49	55	70	84
160	35	52	70	87	105	122	140	175	210
200	55	83	110	135	165	190	220	270	325
250	85	127	170	212	254	296	340	425	510
315	123	185	245	308	370	430	480	620	740
400	215	325	435	545	655	760	870	1090	1310
500	340	510	610	860	1020	1280	1360	1700	2050
630	510	750	1020	1260	1490	1750	2020	2510	2980

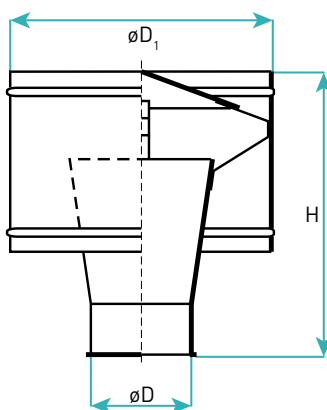


Figure 1. Dimensions roof hoods.

SL

SO

SN

RAL



WC – Roof hoods

While ordering, please provide the information using the following method:

WC - o <D> - <J> - <P> - <RAL>

Where:

D	nominal diameter of the connector in mm
J	Connector Type:*
	<p>PSK - flange connection (for diameters D ≤ 315 mm)</p> <p>KTW - flange connection made of bracket (for diameter 355 ≤ D ≤ 1000)</p> <p>NPL - male coupling (for diameters D ≤ 315 mm)</p> <p>MFA - female coupling (for diameters D ≤ 315 mm)</p>
P	Material and finish:*
	<p>SL - powder coated steel</p> <p>SO - galvanized steel</p> <p>SN - stainless steel cat. 1.4301 (304 acc. to AISI, 0H18N9 acc. to PN)</p>
RAL	RAL color (for SL finish)

* optional values - default values will be used if optional values are not specified

Order example: **WC-o160-MFA-SO**