

Dimensions of a typical grill (rules applies from Nov. 19th, 2012)

CxD	assembly with visible screws assembly with a spring clip		
	AxB standard	AxB light	E x F
75	115	103	55
125	165	153	105
225	265	253	205
325	365	353	305
425	465	453	405
525	565	553	505
625	665	653	605
825	865	853	805
1025	1065	1053	1005
1225	1265	1253	1205

Where:

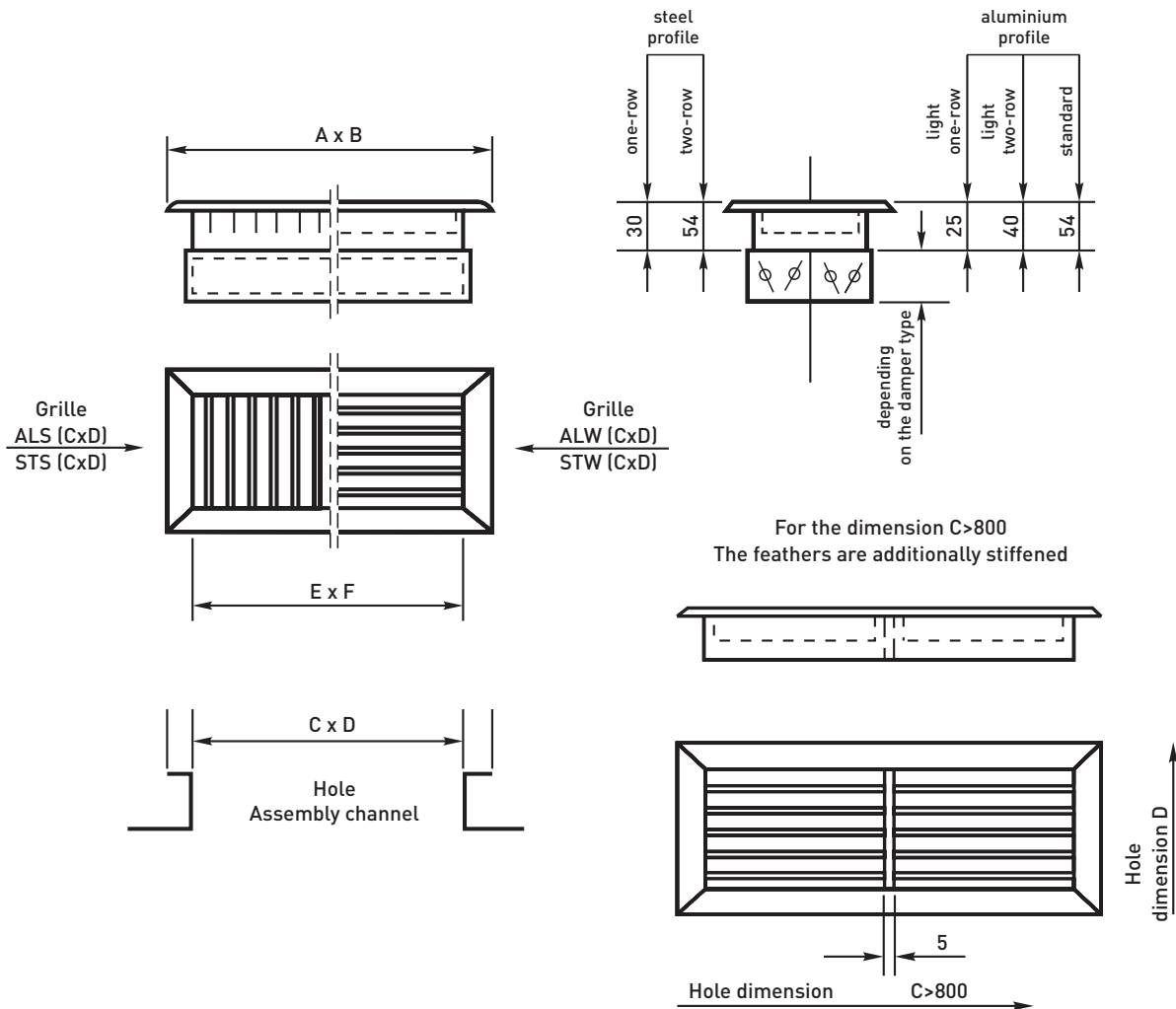
C i D - mean the dimensions of the hole proper for the assembly of the grill

A, B - mean the external dimensions of the grill

E, F - mean the external dimensions of the grill

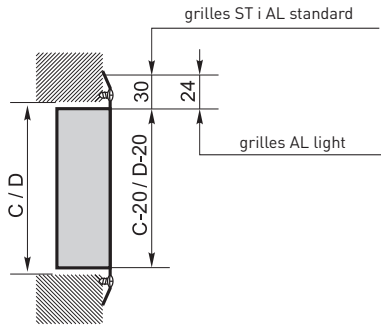
Dimensioning rules (rules applies from Nov. 19th, 2012)

of the aluminium and steel grilles

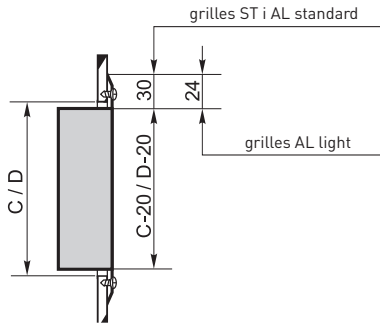


# Assembly of air grilles

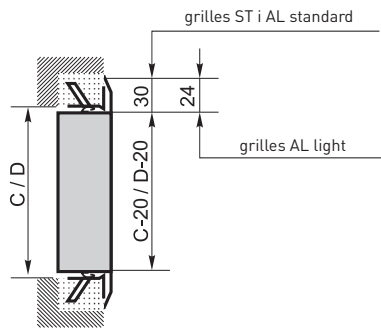
Assembly with visible mounting screws, without mounting frame in the building hole.



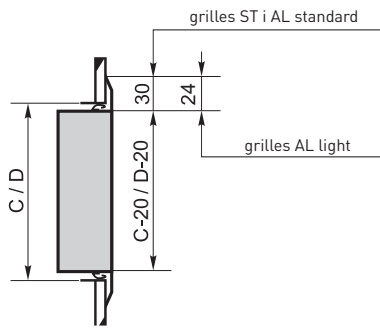
Assembly with visible mounting screws, without mounting frame in the ventilation duct.



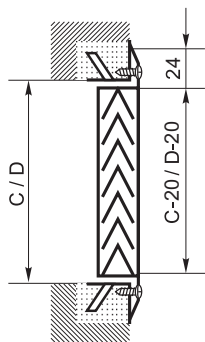
Assembly with an invisible fastener, with mounting frame in the building hole.



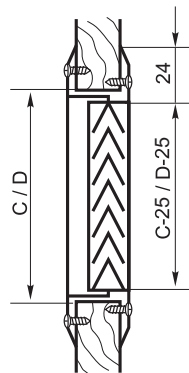
Assembly with an invisible fastener, with mounting frame in the ventilation duct.



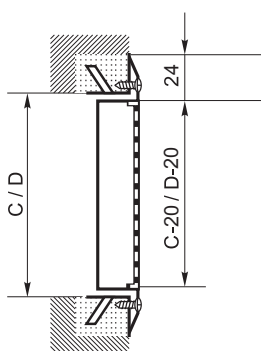
Assembly grilles AL-SI1; ST-SI1 with visible mounting screws, with mounting frame in the building hole.



Assembly grilles AL-SI11; ST-SI11 with visible mounting screws, with mounting frame in the partition.



Assembly grilles AL-SI2; ST-SI2 with visible mounting screws, with mounting frame in the building hole.



Assembly grilles AL-SI21; ST-SI21 with visible mounting screws, with mounting frame in the partition.

