

# PDA

## RECTANGULAR ROOF FLASHING



### Description:

PDA is an A-type rectangular roof flashing that allows ventilation systems to be routed through the roof plane.

### Intended use

The PDA flashing allows ventilation installations to be routed through the roof plane. The PDA constitutes an element responsible for transferring the weight of the ventilation equipment mounted on the roof flashing through the roof structure.

### Design

A-type PD roof flashings are fitted with rectangular 20, 30 or 40 mm width flange connections (depending on the flashing size). Upon request, the holes for screws in the roof flashing flanges, can be made according to the individual guidelines. A-type PD units are normally made of zinc-plated steel of average thickness of the zinc coating equal to 19 micrometres. Other external RAL colour-painted versions and a stainless steel customised version are available upon special request.



The PDA roof flashing is a component of rectangular ventilation ducts.

### Dimensions

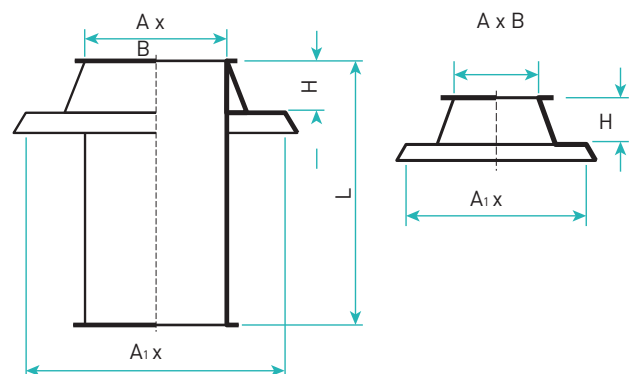


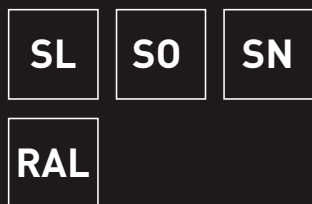
Figure 2. PDA & PDA1 roof flashing dimensions.

The standard dimensions of the roof flashing flanges are presented below.

Flashings with different dimensions can be delivered upon request.

Table 2. Dimensions of standard PDA roof flashings.

AxB [mm]	A <sub>1</sub> x B <sub>1</sub> [mm]	H [mm]	L [mm]	Weight [kg]
250 x 250	481 x 481	160	1000	10,1
250 x 400	481 x 631	160		12,8
250 x 630	481 x 861	160		16,9
400 x 400	656 x 656	160		16,2
400 x 630	656 x 888	160		23,0
630 x 630	936 x 936	160		31,0
630 x 1000	936 x 1306	220		39,6
630 x 1600	936 x 1906	220		62,4
1000 x 1000	1406 x 1406	320		55,0
1000 x 1600	1406 x 2006	320		70,7



## PDA – Rectangular roof flashing

When ordering, please provide information according to the following pattern:

For the standard flashing

PDA <T> - <A x B x L> - <P> <RAL>

For a customised flashing

PDA <T> - <A> x <B> x <L> - (<A1> x <B1>) - <P> <RAL>

Where:

<b>T</b>	Manufacturing version
	<p><b>none</b> – Roof flashing with ventilation duct segment</p> <p>1 – Roof flashing without ventilation duct segment</p>
<b>A</b>	Flashing inner clearance width in mm
<b>B</b>	Flashing clear distance length in mm
<b>L</b>	Ventilation duct section length in mm (not applicable to T = 1)
<b>A1</b>	Flashing base width in mm
<b>B1</b>	Flashing base length in mm
<b>P</b>	Finish*
	<p>SL – Painted steel</p> <p><b>SO – Galvanised steel</b></p> <p>SN – Stainless steel, quality 1.4301 (304 according to AISI, 0H18N9 according to PN)</p>
<b>RAL</b>	Colour as per RAL (for SL finish)

\* Optional values – if not specified, default values will be used

Order example:

**PDA-250x250x1000-SO** (for standard flashings)

**PDA-250x250x1000-(550x550)-SL9010** (for custom flashings)