

SVS7

LONG RANGE SWIRL RING NOZZLE



Description:

Long range aluminium swirl ring nozzle with variable airflow angle manually adjustable.



Intended use

Air supply nozzles are designed for use in large rooms of public or industrial facilities where the supply of significant amounts of air is required. They are especially recommended where it is required to shorten the stream range by swirling the supplied stream.

Design

The SVS7 consists of a mounting stub inside which there is a movable head supplying air. It is equipped with an element swirling the supplied air. The whole unit is made of satin aluminium. Other RAL colours are available upon request. The movable element of the nozzle has a range of movement of 30 degrees from the central axis. A PMS ring covering the mounting screws can be ordered for the SVS7 nozzle.

Dimensions

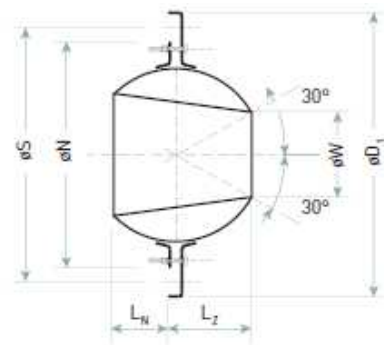


Figure 4. Dimensions of the SVS7 long range nozzle.

Table 1. SVS7 nozzle dimensions.

Size	øD ₁ [mm]	øW [mm]	øN [mm]	øS [mm]	L _w [mm]	L _z [mm]
80	249	80	206	226	66	52
110	289	110	246	266	58	82
150	389	150	346	366	92	128
200	489	200	446	466	103	172
230	489	230	446	466	105	160

Table 2. SVS7 Nozzle accessory dimensions.

Size	øF [mm]	L _R [mm]	DN [mm]	Ød [mm]	L _{RF} [mm]
80	205	200	315–630	158	220
110	250	300	315–800	198	220
150	352	300	500–800	248	250
200	452	350	500–1000	398	290
230	452	350	500–1000	398	290



Technical data of the diffusers, including pressure loss, noise level and airflow ranges, is available at smay.eu, in the document Flow Characteristics for Grilles and Diffusers.

Installation

As standard, the SVS7 nozzles are designed for direct mounting on rectangular ventilation ducts with screws. They can also be equipped with a connection stub for round spiro ducts or for flexible ducts. As standard, the connectors are made of galvanized steel, but there is also an option of making them of aluminium (only the connection to the Flex type duct).

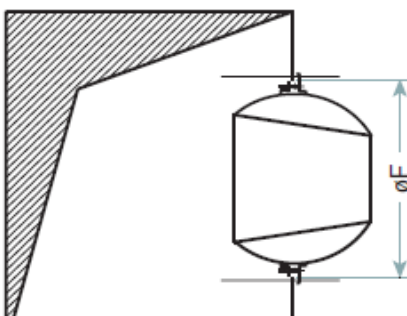


Figure 1. Installation of the SVS7 nozzle directly on the rectangular duct.

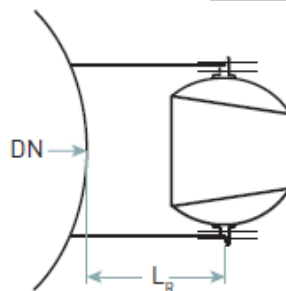


Figure 2. Installation of the SVS7 nozzle on a circular duct with an R-type cap.

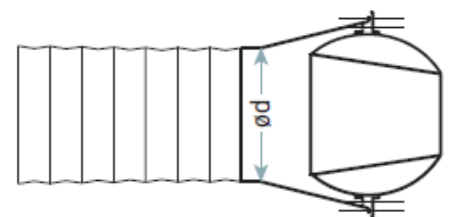


Figure 3. Installation of the SVS7 nozzle on the end of a round tube with an RF cap.



AL AS RAL

SVS7 – Long range swirl ring nozzle

When ordering, please provide information in accordance with the following pattern:

SVS7 - <S> - <W> - <P><RAL> / <ADD>

Where:

C	Nominal diameter: 80, 110, 150, 200, 230
W	Installation method:*
	None – Nozzle for direct installation in rectangular ducts
	R – C cap for mounting on the side of the round spiro duct
	RF – A cap for mounting on the end of the round flex cable
P	Finish:*
	AS – Satin aluminium
	AL – Painted aluminium
RAL	Colour according to the RAL palette (only for <P>=AL., RAL9010 by default)*
ADD	Specify additional accessories here as follows

Accessories:

PMS	mounting screws masking ring
------------	------------------------------

* Optional values – if not specified, default values will be used

Example of product marking: **SVS7-150-RF-AS / PMS**



Revit blocks, selection program and approval documents available at www.smay.pl